

SS406 series flange type pressure transmitters

Descriptions

SSS406 series flange pressure transmitter is suitable for pressure measurement of various media such as gas and liquid. This product uses high-performance, high-stability OEM piezoresistive pressure sensing transducer as the signal measuring element, which has a very wide pressure range. The transducer signal is converted into a standard signal output through special signal processing. After long-term aging and deletion, the pressure transmitter has high precision, high stability and good anti-interference performance. At the same time, it provides a variety of output signals, on-site pressure display, zero point and full range can be adjusted, etc.



Technical data

Performance (EN 60770)

Accuracy @ 25 °C	± 0.5% F.S. (incl. non-linearity, hysteresis and repeatability)
Non-linearity BFSL (conformity)	± 0.3% F.S.
Hysteresis and repeatability	± 0.1% F.S.
Response time	≤ 10 ms
Pressure range	Minimum range: 0.1 bar Maximum range: 16 bar See more details in page 3 (part number chart)
Overload pressure	2.0 × F.S.
Pressure type	vented gauge, sealed gauge, absolute
Long term stability	≤ 0.2% F.S./Year
Temperature coefficient	± 0.03% F.S./°C

Electrical specifications

Output signal	4-20mA	0-10V	0-5V/0.5-4.5V	0.5-4.5V	10%-90%
Input voltage	9-30Vdc	12-30Vdc	9-30Vdc	5Vdc	5V ratio-metric
Polarity protected	yes	yes	yes	yes	yes
Short-circuit protected	yes	yes	yes	yes	yes
Zero and span adjustment	No	No	No	No	No
Surge protection	yes	yes	yes	yes	yes

SS406 series flange type pressure transmitters

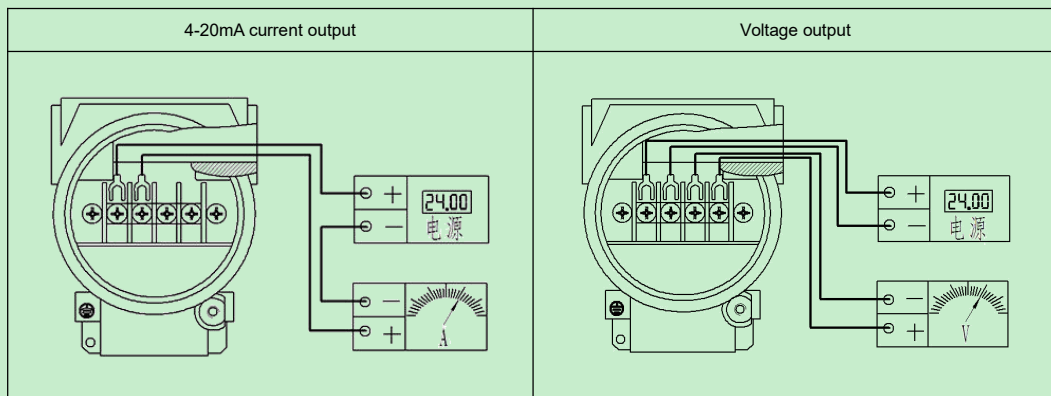
Environmental conditions

Medium temp range	-40 → +150 °C	Other options are on request
Ambient temp range	-20 → +80 °C	
Compensated temp range	0 → +70 °C	
EMC - Emission	EN 61000-6-3	
EMC - Immunity	EN 61000-6-1	
Insulation resistance	> 100 MΩ at 250 V	

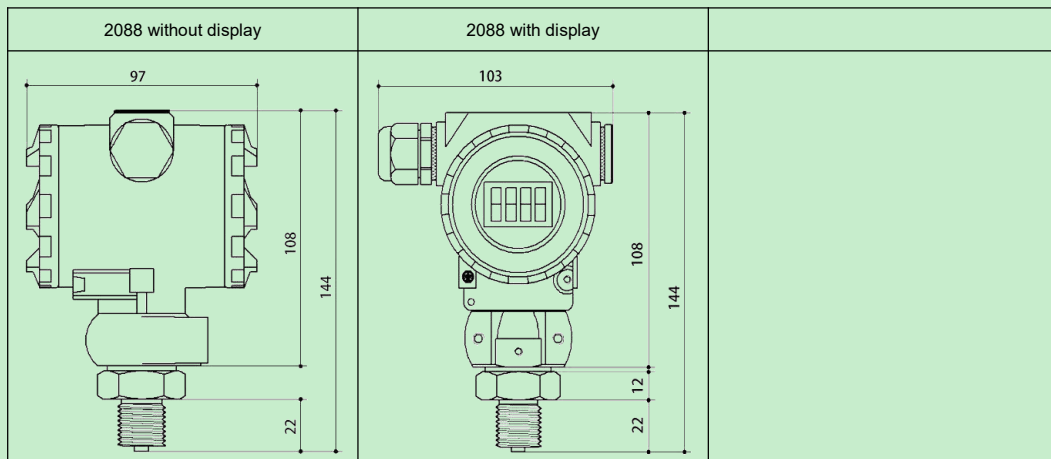
Mechanical characteristics

Materials	Diaphragm	Stainless steel 316L (typical)	Other options are on request
	Flange	Stainless steel 304 (typical)	Stainless steel 316L (optional)
	Cooling fins	Stainless steel 304	
	2088	Die-casting aluminum	
	O-ring	Not used, flush type	
Pressure connection	Flange		
Electrical connection	2088 without display, 2088 with display		
Weight	Depending on connections		
Sealing rating	IP 65 (fulfilled together with mating cable)		

Electrical connections



Dimensions for electrical connectors (Unit: mm)



SS406 series flange type pressure transmitters

Installation and precautions

- The pressure transmitter need to be vertically installed at the on-site pressure interface.
- When installing the pressure transmitter in the open air, try to place it in a ventilated and dry place to avoid the direct sunlight and rain, otherwise it will cause poor performance or malfunction.
- When the pressure transmitter is installed in a thunderstorm area, "lightning protection" should be marked on the order. At the same time, it is recommended that the user install a lightning protection device on site, and ensure that the product and power supply are reliably grounded to reduce the probability of damage to the transmitter by lightning.

Part number chart (How to order)

PART NUMBER REQUIRED: **SS406.PL.01.A.01.C.01 (EXAMPLE)**

1	Pressure range(bar)	PL
	PA(0...0.1) PB(0...0.2) PC(0...0.35) PD(0...0.5) PE(0...0.7) PF(0...1) PG(0...1.6) PH(0...2) PI(0...2.5) PJ(0...4) PK(0...6) PL(0...10) PM(0...16) 1Z(Other pressure range or unit is on request)	
2	Pressure type	01
	01(Vented gauge) 02(Sealed gauge) 03(Absolute)	
3	Electrical connection	A
	A(2088 without display) B(2088 with display)	
4	Nominal diameter	01
	01(DN15) 02(DN20) 03(DN25) 04(DN32) 05(DN40) 06(DN50) 07(DN65) 08(DN80) 09(DN100) 16(DN125) 4Z(Other DN is on request)	
5	Nominal pressure	C
	A(PN2.5) B(PN6) C(PN10) D(PN16) E(PN25) F(PN40) G(PN63) H(PN100) I(PN160) 5Z(Other PN is on request)	
6	Input & Output	01
	01(9-30Vdc & 4-20mA) 02(12-30Vdc & 0-10V) 03(9-30Vdc & 0-5V) 04(9-30Vdc & 0.5-4.5V) 05(5Vdc & 0.5-4.5V) 06(5Vdc ratiometric & 0.5-4.5V) 6Z(Other output is on request)	

Contact us

Company	Ningbo Sendo Electronic Technology CO., LTD	
Email	sales@sendo-sensor.com	
Email	cain.chen@sendo-sensor.com	
Factory	No 15, Yongxing 2nd Rd, Chengbei Industrial Park, Huizhou District, 245900 China	
Office	Building. 1#1108, Wante business center, Hi-Tech, 315040 China	
Website	http://www.pressuresensorsuppliers.com	http://www.sendo-sensor.com
Skype: sendosensor	WeChat: chenjie4884	WhatsApp: +8613616574884
Tel: 0086-0574-27725960	Fax: 0086-0574-27725970	Phone: 0086-13616574884

*Specifications subject to change without notice, the latest date sheet please contact: sales@sendo-sensor.com