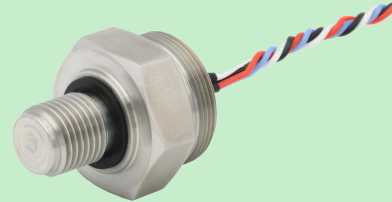


SS117 series miniature flush diaphragm pressure transducers

Features

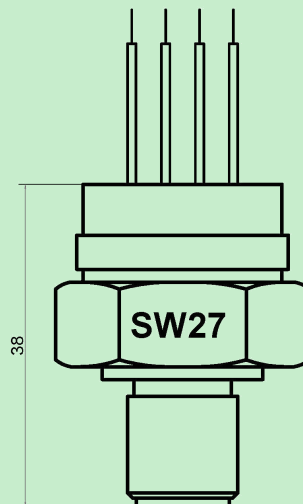
- G1/4" flush connection
- High accuracy and reliability
- Stainless steel 316L wetted parts
- 1.0mA, 1.5mA constant current supply
- 5VDC, 10VDC constant voltage supply
- 0-70°C temperature compensation range
- Isolated construction, able to test various media
- Absolute, vented gauge and sealed gauge pressure
- Piezoresistive silicon based transducer, silicone oil filled inside



Descriptions

SS117 series miniature flush diaphragm pressure transducer is piezoresistive silicon developed and designed with a small size flush-mounted 316L stainless steel process connection e.g. G 1/4", G 3/8", 1/4 BSP, M10 × 1.25, 3/4-16 UNF, is available for measuring ranges from 0 to 25 bar to 0 to 600 bar, relative, absolute and differential version.

The flush diaphragm design, no dead volume, and miniature size makes the transducer is ideal for many viscous or contaminated media applications where mounting space is limited, it is highly configurable, can be customized to meet your unique requirements.



Pressure ranges (typical)

Absolute (defining absolute vacuum as zero) (Unit: bar)

Range	25	40	60	100	160	250
	400	600				

Sealed gauge (defining standard atmospheric pressure as zero) (Unit: bar)

Range	25	40	60	100	160	250
	400	600				

SS117 series miniature flush diaphragm pressure transducers

Technical data

Performance (EN 60770)

Power supply	1.5 mADC (typical)	5 VDC (optional)	10 VDC (optional)
Zero output	0 ± 2 mV ①		
Span output	100 ± 20 mV ①		
Accuracy	0.25% F.S. ①		
Overload range	2.0 × F.S. (≤ 250 bar)		
	1.5 × F.S. (> 250 bar), 1.2 × F.S. (1000bar)		
Compensated temp range	0 → 70 °C		
Operating temp range	-20 → 100 °C		
Storage temp range	-40 → 125 °C		
Zero thermal error	≤ 0.02% F.S./°C		
Sensitivity thermal error	≤ 0.02% F.S./°C		
Stability	≤ 0.2% F.S./Year		
Input impedance	2.3 → 4 KΩ		
Insulation resistance	> 100 MΩ at 250 V		
Vibration	20g / (20 to 5000 Hz)		
Endurance	> 100 × 10 ⁶ F.S. cycles		

①: The zero output, span output and accuracy may different if the supply power, measuring range and pressure type is different, please contact us if you need more details.

Mechanical characteristics

Diaphragm	Stainless steel 316L	
Wetted parts	Stainless steel 316L	
Filling liquid	Silicone oil	
O-ring	All stainless steel welding structure, no O-ring sealing used inside	
Electrical connection	10 cm silicone sheathed wires, Kovar pins	
Pressure connection	1/4" BSP, 9/16-18 UNF, M14 x 1.5	More options see Page 3

Electrical connections

wires		5Pins connection mode 1		5Pins connection mode 2	
Color	Function		PIN1: Supply +		PIN1: Supply +
Red	Supply +		PIN2: Output -		PIN2: Output +
Black	Supply -		PIN3: Supply -		PIN3: Supply -
White	Output +		PIN4: Supply - ②		PIN4: Supply - ②
Blue	Output -		PIN5: Output +		PIN5: Output -

②: PIN4 is not used for 4Pins connection

SS117 series miniature flush diaphragm pressure transducers

Part number chart (How to order)

PART NUMBER REQUIRED: **SS117.PN.01.A.01.A (EXAMPLE)**

1	Pressure range(bar)	PN
	PN(0...25) PO(0...40) PP(0...60) PQ(0...100) PR(0...160) PS(0...200) PT(0...250) PU(0...300) PV(0...350) PW(0...400) PX(0...500) PY(0...600) 1Z(Other pressure range or unit is on request)	
2	Pressure type	01
	01(Absolute) 02(Sealed gauge)	
3	Electrical connection ③	A
	A(4Wires) B(5Wires) C(4Pins mode 1) D(4Pins mode 2) E(5Pins mode 1) F(5Pins mode 2)	
4	Pressure connection	01
	01(G 1/4" male) 02(M14 x 1.5 male) 03(9/16-18 UNF male) 4Z(Other pressure connection is on request)	
5	Power supply	A
	A(1.5mADC) B(2mADC) C(5VDC) D(10VDC) 5Z(Other supply is on request)	

③: 4Wires and 4Pins connection: the zero signal is set by SENDO SENSOR before leave factory.

③: 5Wires and 5Pins connection: the zero signal can be set by clients.

③: Pins mode1 and mode2: please see the details in the Electrical connection in page 2.

Contact us

Company	Ningbo Sendo Electronic Technology CO., LTD	
Email	sales@sendo-sensor.com	
Email	cain.chen@sendo-sensor.com	
Factory	No 15, Yongxing 2nd Rd, Chengbei Industrial Park, Huizhou District, 245900 China	
Office	Building. 1#1108, Wante business center, Hi-Tech, 315040 China	
Website	http://www.pressuresensorsuppliers.com	http://www.sendo-sensor.com
Skype: sendosensor	WeChat: chenjie4884	WhatsApp: +8613616574884
Tel: 0086-0574-27725960	Fax: 0086-0574-27725970	Phone: 0086-13616574884

*Specifications subject to change without notice, the latest date sheet please contact: sales@sendo-sensor.com