

PS100E03 series 4-20mA ceramic pressure sensors

Features

- Thermally compensated
- High accuracy and high stability
- Wide choice of measuring ranges
- Solid ceramic sensitive diaphragm
- Smart volume, easy for encapsulation
- Excellent shock and vibration resistance
- Excellent corrosion and abrasion resistance
- Low cost, extreme extensive application range



Descriptions

PS100E03 series are made with ceramic cell(Al_2O_3 96%) and work following the piezoresistive principle. The signal conditioning electronics are added on one side of ceramic diaphragm where the Wheatstone bridge is screen printed, offer 4-20mA current output signal(Customized is available).

PS100E03 series are fully temperature compensated and guarantees a residual temperature effect inside the compensation temperature range within 0.02%F.S./ $^{\circ}\text{C}$. This feature results in a very stable sensor under very harsh conditions. Thanks to the excellent chemical immunity of the ceramic material, the sensors are suitable for nearly all most media.

Parameters

Power supply	12...36VDC
Output signal	4...20mA (current loop)
Pressure range	0...1Bar to 400Bar
Temperature characteristic	$\pm 0.02\%$ F.S./ $^{\circ}\text{C}$ (25 $^{\circ}\text{C}$ \rightarrow 85 $^{\circ}\text{C}$)
Operating temperature	0 \rightarrow 85 $^{\circ}\text{C}$
Stability	<0.2%F.S.O./year
Material	Ceramic Al_2O_3 96%
Sensor type	Gauge
Technology	Piezoresistive
Weight	8g

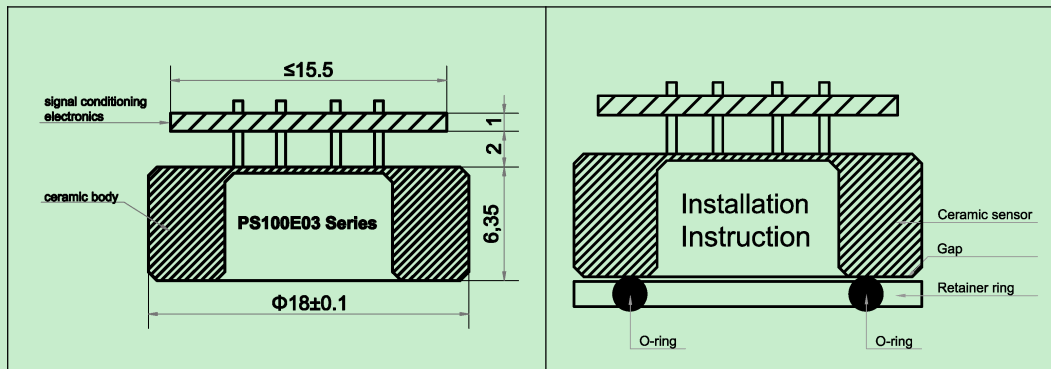
Typical pressure and accuracy (Bar)

Rated range	2	5	10	20	30	50	100	200	400
Over pressure	4	10	20	40	60	100	200	400	600
Burst pressure	7	15	35	70	90	150	250	450	600
Accuracy①	$\pm 1.5\%$ F.S.	$\pm 1.0\%$ F.S.						$\pm 1.5\%$ F.S.	

① Accuracy including linearity, hysteresis, repeatability @25 $^{\circ}\text{C}$

PS100E03 series 4-20mA ceramic pressure sensors

Dimensions



Electrical connections

	Pins	Wires	Function
	+	Red	Voltage +
	-	Black	Signal +

Ordering information

EXAMPLE: **PS100E03 C 01 A**

1	Pressure range(bar) A(1) B(2) C(5) D(10) E(20) F(30) G(50) H(100) I(200) J(400) X(Other pressure range or unit is on request)	C
2	Signal & supply 01(4-20mA & 12-36Vdc) 02(Other output is on request)	01
3	Electrical connection A(2Pins*7mm) B(2Wires*50mm)	A

Contact us

Company	Ningbo Sendo Electronic Technology CO., LTD	
Email	sales@sendo-sensor.com	
Email	cain.chen@sendo-sensor.com	
Factory	Floor 5, building 2, no.48 jiujuan road, jianggan district, 310019 China	
Office	Building. 1#1108, Wante business center, Hi-Tech, 315040 China	
Website	http://www.pressuresensorsuppliers.com	http://www.sendo-sensor.com
Skype: sendosensor	We Chat: chenjie4884	WhatsApp: +8613616574884
Tel: 0086-0574-27725960	Fax: 0086-0574-27725970	Phone: 0086-13616574884

*Specifications subject to change without notice, the latest date sheet please contact: sales@sendo-sensor.com