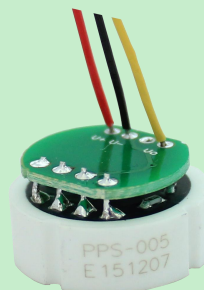


# PS100E01 series 0.5-4.5V ceramic pressure sensors

## Features

- Thermally compensated
- High accuracy and high stability
- Wide choice of measuring ranges
- Solid ceramic sensitive diaphragm
- Smart volume, easy for encapsulation
- Excellent shock and vibration resistance
- Excellent corrosion and abrasion resistance
- Low cost, extreme extensive application range



## Descriptions

PS100E01 series low cost ceramic pressure sensors are made with ceramic cell( $\text{Al}_2\text{O}_3$  96%) and work following the piezoresistive principle, the signal conditioning electronics are added on one side of ceramic diaphragm where the Wheatstone bridge is screen printed, offer 0.5-4.5V, 0.2-4.5V ratio-metric voltage signal (Customized is available), it has been developed for low cost applications, e.g. automotive applications.

PS100E01 series have the reinforced outer area(monolithic structure), the sensor can be mounted in a plastic or metallic case by using O-ring, and thanks to the good chemical resistance of the ceramic, the sensors can measure pressure in nearly all aggressive media.



## Parameters

Power supply	5VDC(ratio-metric)	More see ordering information in page 2
Output signal	0.5...4.5V	More see ordering information in page 2
Pressure range	0...1Bar to 400Bar	
Temperature characteristic	$\pm 0.02\% \text{F.S.}/^\circ\text{C}$ (25°C → 85°C)	
Operating temperature	0 → 85°C	
Stability	<0.2%F.S.O./year	
Material	Ceramic $\text{Al}_2\text{O}_3$ 96%	
Sensor type	Gauge	
Technology	Piezoresistive	
Weight	8g	

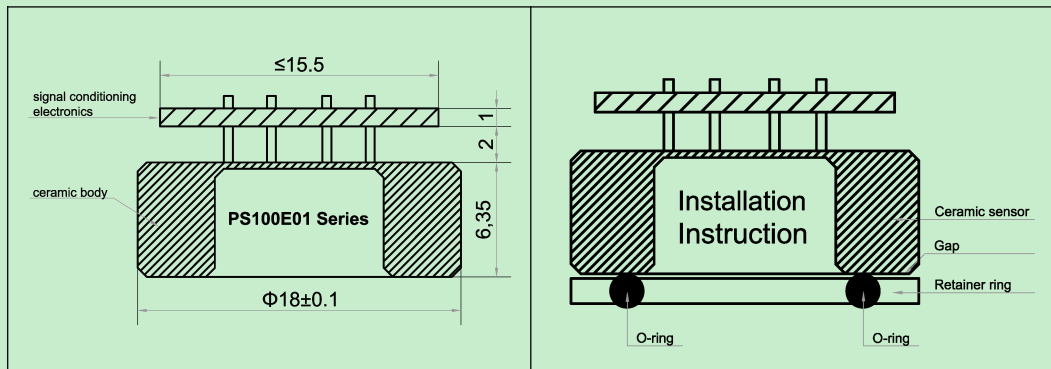
## Typical pressure and accuracy(Unit: bar)

Rated range	2	5	10	20	30	50	100	200	400
Over pressure	4	10	20	40	60	100	200	400	600
Burst pressure	7	15	35	70	90	150	250	450	600
Accuracy①	$\pm 1.5\% \text{F.S.}$		$\pm 1.0\% \text{F.S.}$				$\pm 1.5\% \text{F.S.}$		

① Accuracy including linearity, hysteresis, repeatability @25°C

# PS100E01 series 0.5-4.5V ceramic pressure sensors

## Dimensions(Unit: mm)



## Electrical connections

	Pins	Wires	Function
	V+	Red	Voltage +
	V-	Black	GND
	Vo	Blue	Signal +

## Ordering information

EXAMPLE: **PS100E01 A 01 A 02**

1	Pressure range(bar) A(1) B(2) C(5) D(10) E(20) F(30) G(50) H(100) I(200) J(400) X(Other pressure range or unit is on request)	A
2	Output signal 01(0.2-4.5V) 02(0.5-4.5V) 03(0.2-3.0V) 04(0.5-3.0V) 05(Other output is on request)	01
3	Power supply A(5VDC ratio-metric) B(9-15VDC) C(3.3VDC) E(Other supply is on request)	A
4	Electrical connection 01(3Pins*7mm) 02(3Wires*50mm)	02

## Contact us

Company	Ningbo Sendo Electronic Technology CO., LTD	
Email	sales@sendo-sensor.com	
Email	cain.chen@sendo-sensor.com	
Factory	Floor 5, building 2, no.48 jiujuan road, jianggan district, 310019 China	
Office	Building. 1#1108, Wante business center, Hi-Tech, 315040 China	
Website	http://www.pressuresensorsuppliers.com	http://www.sendo-sensor.com
Skype: sendosensor	We Chat: chenjie4884	WhatsApp: +8613616574884
Tel: 0086-0574-27725960	Fax: 0086-0574-27725970	Phone: 0086-13616574884

\*Specifications subject to change without notice, the latest date sheet please contact: sales@sendo-sensor.com