

# SS207 series low cost pressure transmitters

- CE conformity
- Low cost and high quality
- Compact, rugged construction
- Stainless steel 316L diaphragm
- -20~105°C wider working temperature
- 0.5~4.5V, 0.5~5V, 1~5V, various voltage output
- Vented gauge, sealed gauge, absolute pressure
- A wide range of pressure and electrical connections



## Descriptions

SS207 series piezoresistive pressure sensors are the premium products of the SENDO OEM-line, it is a very classic sensor used in air, water, oil and other media compatible with stainless steel 316L, smart size, beautiful appearance, light weight only about 60g, all these make the SS207 series suitable to the applications with limited space and weight.

A high performance piezoresistive pressure transducer is assembled in the housing, the transducer floats on an O-ring seal and is therefore free of any housing stresses, giving excellent long-term stability. The flexible pressure sensor programme covers absolute, sealed gauge and vented gauge versions, measuring ranges from 0- 15psi to 3000psi and a wide range of pressure and electrical connections.

Typical applications: automotive: monitor the oil pressure, fuel pressure and brake system, HVAC/R: monitor system performance for proper environmental control, air compressors: monitor compressor performance.

## Parameters

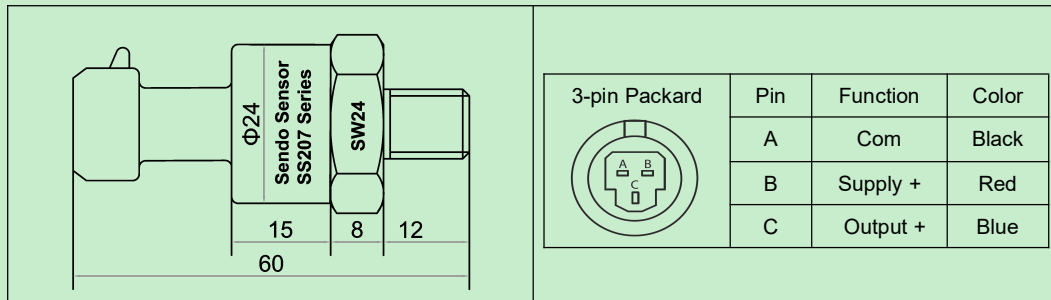
Supply voltage	5VDC	12VDC, 24VDC is on request
Output signal	0.5~4.5V	0.5~5V, 1~5V is on request
Measuring range	0~15psi...3000psi	
Proof pressure	2.0*F.S.	
Accuracy	1%F.S. @25°C	
	3%F.S. @-20~105°C	
Operating temp	-20~105°C	

## Mechanical configurations

Pressure connection	See "ordering information"
Electrical connection	3way round Packard
Sealing rating	IP65
O-ring	Viton
Housing	Stainless steel 304
Diaphragm	Stainless steel 316L

# SS207 series low cost pressure transmitters

## Drawings & electrical connections



## Ordering information

EXAMPLE: **SS207 F 01 A 03 A 01 A**

1	Pressure range	<b>F</b>
	A 15psi B 30psi C 50psi D 75psi E 100psi F 150psi G 7bar H 10bar I 16bar J 25bar K 40bar L 60bar M 100bar N Other range is on request	
2	Pressure type	<b>01</b>
	01 Gauge 02 Absolute	
3	Electrical connection	<b>A</b>
	A 3way round Packard	
4	Pressure connection	<b>03</b>
	01(1/4"NPT) 02(1/2"NPT) 03(1/8"NPT) 04(G1/4") 05(G1/2") 06(G1/8") 07(PT1/4") 08(PT1/2") 09(PT1/8") 10(Other pressure connection is on request)	
5	Voltage supply	<b>A</b>
	A 5VDC B 12VDC C 24VDC	
6	Output signal	<b>01</b>
	01 0.5~4.5V 02 1~5V 03 0.5~5V 04 Other output signal is on request	
7	Mating cable(Pig tail)	<b>A</b>
	A None B 30cm C 1m D 2m E 3m F 4m G 5m H Other length is on request	

## Contact us

Company name	Ninghai sendo sensor co., Ltd	
Company address	Floor 5, building 2, no.48 jiuhan road, jianggan district, 310000 Hangzhou, China	
Website	http://www.sendo-sensor.com	
Email(sales)	sales@sendo-sensor.com	
Email(Mr Chen)	cain.chen@sendo-sensor.com	
Skype	sendosensor	
Tel: 0086-0574-27725960	Fax: 0086-0574-27725970	Phone: 0086-13616574884

\*Specifications subject to change without notice, the latest date sheet please contact: [sales@sendo-sensor.com](mailto:sales@sendo-sensor.com)