

PS100E03 series 4-20mA ceramic pressure sensors

- High accuracy and high stability
- Wide choice of measuring ranges
- Solid ceramic sensitive diaphragm
- Smart volume, easy for encapsulation
- Excellent shock and vibration resistance
- Excellent corrosion and abrasion resistance
- Low cost, extreme extensive application range
- Thermally compensated, wide-range operating temperature



Descriptions

PS100E03 series are made with ceramic cell(Al_2O_3 96%) and work following the piezoresistive principle. The signal conditioning electronics are added on one side of ceramic diaphragm where the Wheatstone bridge is screen printed, offer 4-20mA current output signal(Customized is available).

PS100E03 series are fully temperature compensated and guarantees a residual temperature effect inside the compensation temperature range within 0.02%F.S./ $^{\circ}\text{C}$. This feature results in a very stable sensor under very harsh conditions. Thanks to the excellent chemical immunity of the ceramic material, the sensors are suitable for nearly all most media.

Parameters

Power supply	12~36VDC
Output signal	4~20mA (current loop)
Pressure range	0~1Bar...400Bar
Temperature characteristic	$\pm 0.02\% \text{F.S.}/^{\circ}\text{C}$ (25 $^{\circ}\text{C}$ ~85 $^{\circ}\text{C}$)
Operating temperature	0~85 $^{\circ}\text{C}$
Material	Ceramic Al_2O_3 96%
Sensor type	Gauge
Technology	Piezoresistive
Weight	8g

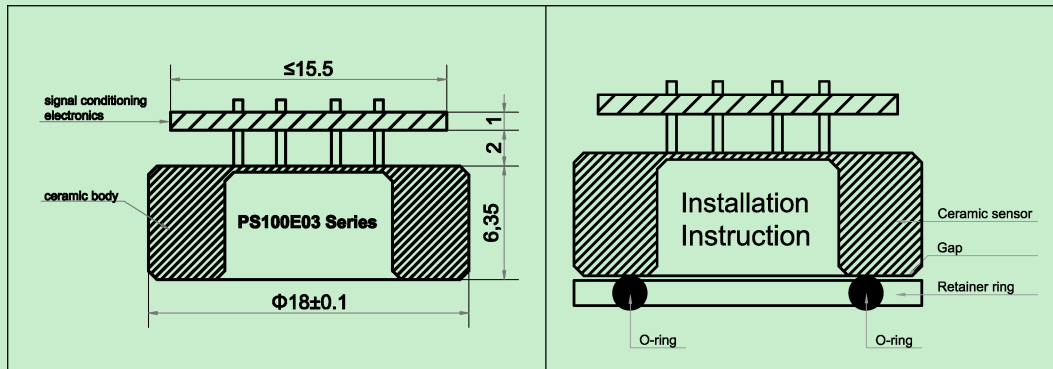
Typical pressure and accuracy (Bar)

Rated range	2	5	10	20	30	50	100	200	400
Over pressure	4	10	20	40	60	100	200	400	600
Burst pressure	7	15	35	70	90	150	250	450	600
Accuracy①	$\pm 1.0\% \text{F.S.}$	$\pm 0.5\% \text{F.S.}$				$\pm 1.0\% \text{F.S.}$		$\pm 1.5\% \text{F.S.}$	

① Accuracy including linearity, hysteresis, repeatability @25 $^{\circ}\text{C}$

PS100E03 series 4-20mA ceramic pressure sensors

Dimensions



Electrical connections

	Pins	Wires	Function
	+	Red	Voltage +
	-	Black	Signal +

Ordering information

EXAMPLE: [PS100E03 C 01 A](#)

1	Pressure range	C
	A(1bar) B(2bar) C(5bar) D(10bar) E(20bar) F(30bar) G(50bar) H(100bar) I(200bar) J(400bar) K(Other range is on request)	
2	Output signal	01
	01 4-20mA 02 Other output is on request	
3	Electrical connection	A
	A 2Pins(7mm) B 2Wires(50mm)	

Contact us

Company name	Ninghai sendo sensor co., Ltd		
Company address	Floor 5, building 2, no.48 jiujuan road, jiangnan district, 310000 Hangzhou, China		
Website	http://www.sendo-sensor.com		
Skype	sendosensor		
Email(sales)	sales@sendo-sensor.com	cain.chen@sendo-sensor.com	
Tel: 0086-0574-27725960	Fax: 0086-0574-27725970	Phone: 0086-13616574884	

*Specifications subject to change without notice, the latest date sheet please contact: sales@sendo-sensor.com