

PS100E01 series 0.5-4.5V ceramic pressure sensors

- High accuracy and high stability
- Wide choice of measuring ranges
- Solid ceramic sensitive diaphragm
- Smart volume, easy for encapsulation
- Excellent shock and vibration resistance
- Excellent corrosion and abrasion resistance
- Low cost, extreme extensive application range
- Thermally compensated, wide-range operating temperature



Descriptions

PS100E01 series low cost ceramic pressure sensors are made with ceramic cell (Al_2O_3 96%) and work following the piezoresistive principle, the signal conditioning electronics are added on one side of ceramic diaphragm where the Wheatstone bridge is screen printed, offer 0.5-4.5V, 0.2-4.5V ratio-metric voltage signal (Customized is available), it has been developed for low cost applications, e.g. automotive applications.



PS100E01 series have the reinforced outer area (monolithic structure), the sensor can be mounted in a plastic or metallic case by using O-ring, and thanks to the good chemical resistance of the ceramic, the sensors can measure pressure in nearly all aggressive media.

Parameters

Power supply	5VDC(ratio-metric)	3VDC, 12VDC is on request
Output signal	0.5~4.5V	0.2~4.5V is on request
Pressure range	0~1Bar...400Bar	
Temperature characteristic	$\pm 0.02\%$ F.S./ $^{\circ}\text{C}$ (25 $^{\circ}\text{C}$ ~85 $^{\circ}\text{C}$)	
Operating temperature	-40~125 $^{\circ}\text{C}$	
Material	Ceramic Al_2O_3 96%	
Sensor type	Gauge	
Technology	Piezoresistive	
Weight	8g	

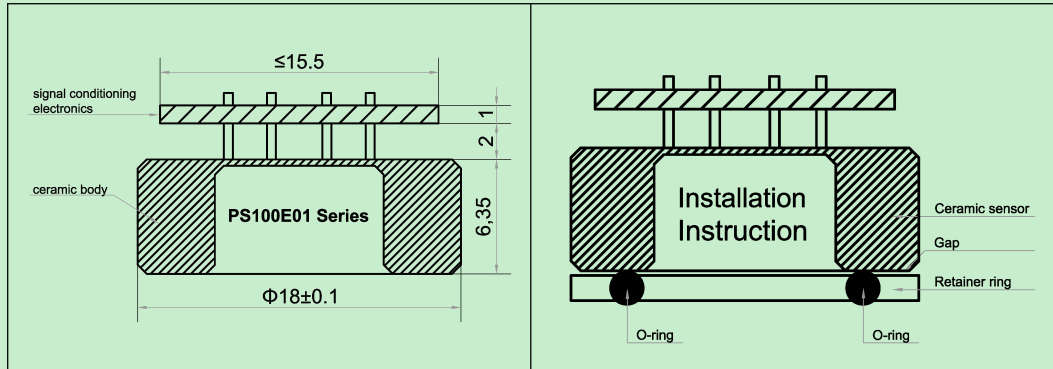
Typical pressure (Bar)

Rated range	2	5	10	20	30	50	100	200	400
Over pressure	4	10	20	40	60	100	200	400	600
Burst pressure	7	15	35	70	90	150	250	450	600
Accuracy①	$\pm 1.5\%$ F.S.	$\pm 1.0\%$ F.S.						$\pm 1.5\%$ F.S.	

① Accuracy including linearity, hysteresis, repeatability @25 $^{\circ}\text{C}$

PS100E01 series 0.5-4.5V ceramic pressure sensors

Dimensions



Electrical connections

	Pins	Wires	Function
	V+	Red	Voltage +
	V-	Black	Voltage -
	Vo	Blue	Signal +

Ordering information

EXAMPLE: [PS100E01 A 01 A 02](#)

1	Pressure range	A
	A(1bar) B(2bar) C(5bar) D(10bar) E(20bar) F(30bar) G(50bar) H(100bar) I(200bar) J(400bar) K(Other range is on request)	
2	Output signal	01
	01 0.2-4.5V 02 0.5-4.5V 03 0.2-3.0V 04 0.5-3.0V 05 Other output is on request	
3	Power supply	A
	A 5VDC(ratio-metric) B 12VDC C 24VDC D 3.3VDC E Other supply is on request	
4	Electrical connection	02
	01 3Pins(7mm) 02 3Wires(50mm)	

PS100E01 series 0.5-4.5V ceramic pressure sensors

Contact us

Company name	Ninghai sendo sensor co., Ltd		
Company address	Floor 5, building 2, no.48 jiujuan road, jianggan district, 310000 Hangzhou, China		
Website	http://www.sendo-sensor.com		
Email(sales)	sales@sendo-sensor.com		
Email(Mr Chen)	cain.chen@sendo-sensor.com		
Skype	sendosensor		
Tel: 0086-0574-27725960	Fax: 0086-0574-27725970	Phone: 0086-13616574884	

*Specifications subject to change without notice, the latest date sheet please contact: sales@sendo-sensor.com