

SS402 series flush diaphragm pressure transmitters

- CE conformity
- Stainless steel 316L wetted parts
- Silicon oil filled, rugged construction
- Wide measuring range: 0-0.35bar to 400bar
- Output signals: 4-20mA or 0-10V, 0-5V, 0.5-4.5V
- A wide range of pressure and electrical connections



Descriptions

SS402 series flush diaphragm pressure sensors are designed by the piezoresistive technology, and works following the piezoresistive effect. A high performance pressure transducer is used as the sensing part, the transducer is laser welded structure, silicone oil filled, no O-ring is used inside for sealing.

SS402 series offer enhanced anti-interference and surge protection by a digital PCB, available pressure ranges spanning from 5 psig up to 5800 psig(35KPa to 40MPa), the standard media working temperature up to 100°C, offer excellent long term performance throughout the complete range of pressures.

SS402 series are designed with stainless steel 316L wetted parts, very rugged and robust, typical used in food process and industrial applications to measure the liquid and gas pressures, where the media is either viscous, or is otherwise liable to block the port of a conventional pressure transducer with a recessed diaphragm or pressure port.



working temperature up to 350°C

Technical data

Performance (EN 60770)

Accuracy @25°C (incl. non-linearity, hysteresis and repeatability)	±0.5% F.S.
Response time	< 4 ms
Overload pressure	2.0 × F.S. (≤ 250 bar)
	1.5 × F.S. (> 250 bar)
Pressure range	-1~0, 0~0.35...400bar
Pressure type	vented gauge, sealed gauge, absolute
Long term stability	≤0.2%F.S./Year
Temperature coefficient	±0.03%F.S./°C

SS402 series flush diaphragm pressure transmitters

Electrical specifications

	4-20mA Current output	0-10V, 0-5V Not Ratio-metric	Ratio-metric (10-90% of Vs.)
Supply voltage [UB]	12-36V	12-36V	5 V ± 10%
Load [RL] (load connected to 0 V)	$RL \leq (UB-12V)/0.02 A$	---	---
Polarity protected	yes	yes	yes
Short-circuit protected	yes	yes	yes

Environmental conditions

Medium temperature range	-40°C → +100°C
Ambient temperature range (depending on electrical connection)	-20°C → +80°C
Compensated temperature range	-10°C → +70°C
EMC - Emission	EN 61000-6-3
EMC - Immunity	EN 61000-6-1
Insulation resistance	>100 MΩ at 250 V

Mechanical characteristics

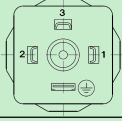
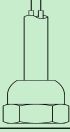
Materials	Wetted parts	Stainless steel 316L
	Enclosure	Stainless steel 304
	Electrical connections	PA66
Weight (depending on pressure connection and electrical connection)	225-500g	
Pressure connection	G1/2", PT1/2", 1/2"NPT	
Electrical connection	DIN43650A(Hirschmann), Direct cable, M12*1, LED Display	

Dimensions

DIN43650A connection	Direct cable connection	DIN43650A connection	Direct cable connection

SS402 series flush diaphragm pressure transmitters

Electrical connections

	DIN43650A(Hirschmann) connection	Direct cable connection
		
4-20mA Current output signal (2 wire)	Pin 1: + supply Pin 2: + output Pin 3: Not used Earth: Not connected	Red: + supply Black: + output
0-10V, 0-5V, 0.5-4.5V Voltage output signal (3 wire)	Pin 1: + supply Pin 2: - supply Pin 3: + output Earth: Not connected	Red: + supply Black: - supply Blue: + output
IP protection (fulfilled together with mating connector)	IP 65	IP 65

Ordering information

EXAMPLE: [SS402 H 01 A 01 B 01 A](#)

1	Pressure range(bar) A(-1~0) B(-0.35~0) C(0~0.35) D(0~1.0) E(0~2.5) F(0~4.0) G(0~6.0) H(0~10) I(0~16) J(0~25) K(0~40) L(0~60) M(0~100) N(0~250) O(0~400) P(Other pressure range or unit is on request)	H
2	Pressure type 01 Gauge 02 Absolute	01
3	Electrical connection A Hirschmann(DIN43650A) B Direct cable C M12*1 D LED Display	A
4	Pressure connection 01 G1/2" 02 G1" 03 PT1/2" 04 PT1" 05 1/2"NPT 06 1"NPT 07 M20*1.5 08 Other pressure connection is on request	01
5	Voltage supply A 5VDC B 12~36VDC	B
6	Output signal 01 4~20mA 02 0.5~4.5V 03 0~5V 04 0~10V 05 1-5V 06 1-10V 07 Other output signal is on request	01
7	Cable length A None B 1m C 2m D 3m E 4m F 5m G 6m H Other length is on request	A

Optional

1	Accuracy 0.25%
2	Medium temperature 125-300°C
3	Field adjustment of span and zero (Analog PCB)

SS402 series flush diaphragm pressure transmitters

Contact us

Company name	Ninghai sendo sensor co., Ltd	
Company address	Floor 5, building 2, no.48 jiujuan road, jianggan district, 310000 Hangzhou, China	
Website	http://www.sendo-sensor.com	
Email(sales)	sales@sendo-sensor.com	
Email(Mr Chen)	cain.chen@sendo-sensor.com	
Skype	sendosensor	
Tel: 0086-0574-27725960	Fax: 0086-0574-27725970	Phone: 0086-13616574884

*Specifications subject to change without notice, the latest date sheet please contact: sales@sendo-sensor.com