

SS310 series flush diaphragm pressure transmitters

- Non oil filled
- CE conformity
- Rugged construction
- Field adjustable output range
- Stainless steel 316L wetted parts
- Typical G1/2" pressure connection
- Wide measuring range: 0-20bar to 2000bar
- For Clean-In-Place (CIP) and Sterilize-In-Place (SIP)
- Output signals: 4-20mA and 0-10V, 0-5V voltage output



Descriptions

SS310 Series heavy duty flush diaphragm pressure sensors are based on bonded strain gauge on stainless steel technology. Thanks to the strong flush diaphragm made with 316L stainless steel, SS310 series is particularly suitable for pressure measurement where the media is with high viscosity (thick fluids, oils, rubber, pulps, chemical products, etc.) or the traditional transducers with internal measuring chamber can't be used.

The high thickness of the diaphragm makes the product very reliable and suitable for heavy industrial application, it is designed for use with food and industrial fluids that are difficult to measure because of sticking or lugging of orifices, typically slurry, cement, crude oil.

Technical data

Performance (EN 60770)

Accuracy @25°C (incl. non-linearity, hysteresis and repeatability)	±0.5% F.S.
Response time	< 12ms
Overload pressure	3.0 × F.S. (< 100 bar)
	2.0 × F.S. (< 600 bar)
Pressure range	0~20bar...2000bar
Pressure type	vented gauge, sealed gauge, absolute
Long term stability	≤0.2%F.S./Year
Temperature coefficient	±0.05%F.S./°C
Durability, P: 10-90% F.S.	>10×10 ⁶ cycles

Electrical specifications

Supply voltage	12-36V
Output signal	4-20mA, 1-5V, 0-10V, 0-5V

SS310 series flush diaphragm pressure transmitters

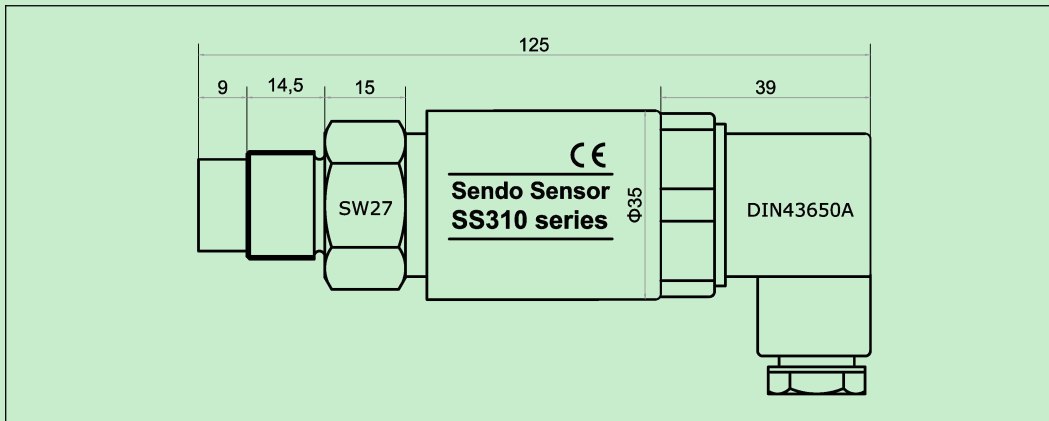
Environmental conditions

Medium temperature range	-20°C → +100°C
Ambient temperature range (depending on electrical connection)	-20°C → +80°C
Compensated temperature range	-10°C → +70°C
Insulation resistance	>100 MΩ at 250 V

Mechanical characteristics

Materials	Wetted parts	Stainless steel 316L
	Enclosure	Stainless steel 304
Weight	300g	
Pressure connection	G1/2, PT1/2", 1/2"NPT	
Electrical connection	DIN43650A(Hirschmann), Direct cable, M12*1	
Sealing rate	IP65	

Dimensions



Electrical connections

	Hirschmann(DIN43650A) connection	Direct cable connection
4-20mA Current output signal (2 wire)	Pin 1: + supply Pin 2: + output Pin 3: Not used	Red: + supply Green/Yellow: + output
0-10V, 0-5V, 0.5-4.5V Voltage output signal (3 wire)	Pin 1: + supply Pin 2: - supply Pin 3: + output	Red: + supply Green: - supply Yellow: + output
IP protection (fulfilled together with mating connector)	IP 65	IP 65

SS310 series flush diaphragm pressure transmitters

Ordering information

EXAMPLE: **SS310 D 01 A**

1	Pressure range(bar)	D
	A(0~20) B(0~40) C(0~60) D(0~100) E(0~160) F(0~200) G(0~250) H(0~400) I(0~600) J(0~1000) K(Other pressure range or unit is on request)	
2	Output signal	01
	01 4~20mA 02 0.5~4.5V 03 1~5V 04 Other signal is on request	
3	Cable length	A
	A None B 1m C 2m D 3m E 4m F 5m G 6m H Other length is on request	

Contact us

Company name	Ninghai sendo sensor co., Ltd	
Company address	Floor 5, building 2, no.48 jiujuan road, jianggan district, 310000 Hangzhou, China	
Website	http://www.sendo-sensor.com	
Email(sales)	sales@sendo-sensor.com	
Email(Mr Chen)	cain.chen@sendo-sensor.com	
Skype	sendosensor	
Tel: 0086-0574-27725960	Fax: 0086-0574-27725970	Phone: 0086-13616574884

*Specifications subject to change without notice, the latest date sheet please contact: sales@sendo-sensor.com